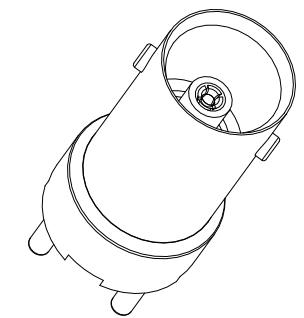
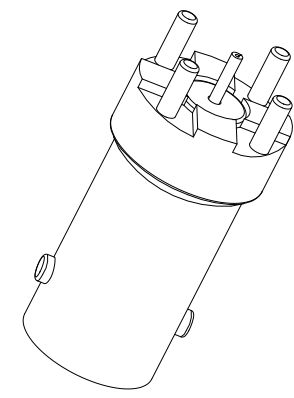
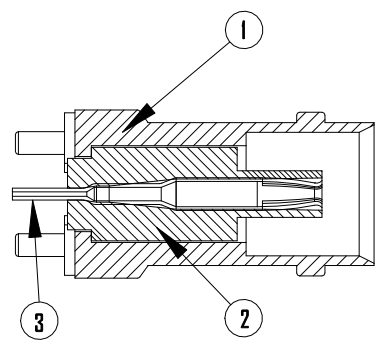
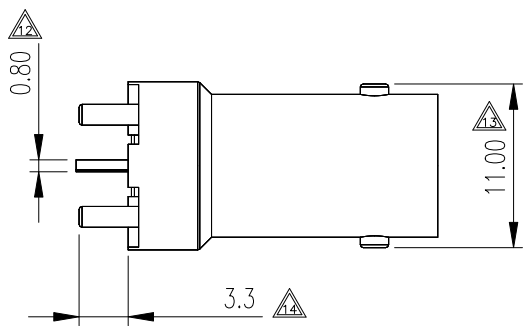
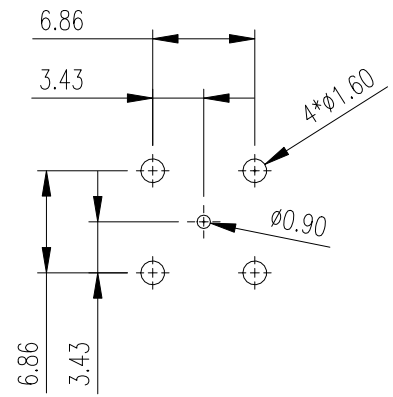
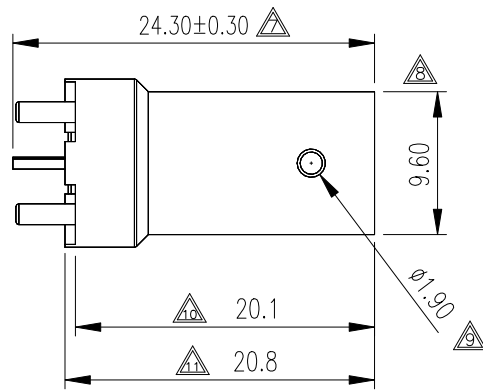
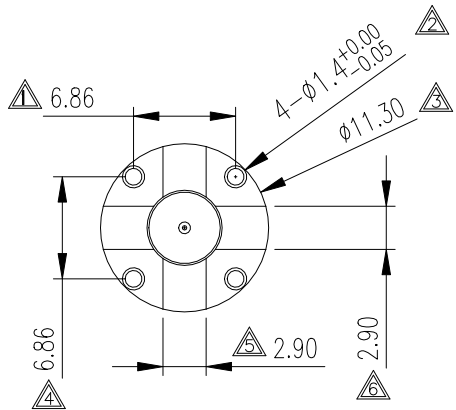


Level-I Controlled Substances are banned



Marked \triangle are important dimensions.

3	PIN	1	PHOSPHOR BRONZE	—	AU PLATING
2	INSULATOR	1	POM	WHITE	—
1	BODY	1	ZINC ALLOY	—	NI PLATING
NO.	DESCRIPTION	QTY	MATERIAL	COLOR	REMARK

GENERAL TOLERANCE UNLESS OTHERWISE SPECIFIED		盛聰电子有限公司 SHENG CONG ELECTRONIC CO.,LTD			
General	Angle				
X ± 0.50	X °± 3°	CUSTOMER COPY	TITLE:	BNC CONNECTOR	
X.X ± 0.30	X.X °± 2°		PART NO.	SCB-001	
X.XX ± 0.20	X.XX °± 1°				
X.XXX ± 0.10					
PROJ:		SCALE: 2:1	UNIT:mm	SIZE: A4	SHEET: 1 OF 1

					DESIGN	Jason	12'/05/07	
					CHECK	Jason	12'/05/07	
	0	12'/05/07	NEW	JASON	Max.hu			
ECN(DCN) NO.	REV	DATE	DESCRIPTION	CHANGE	APPRO.	Max.hu	12'/05/07	