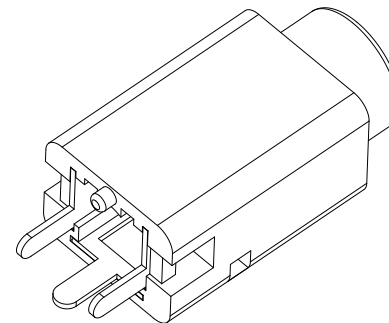
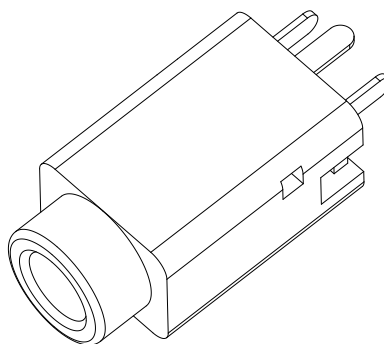
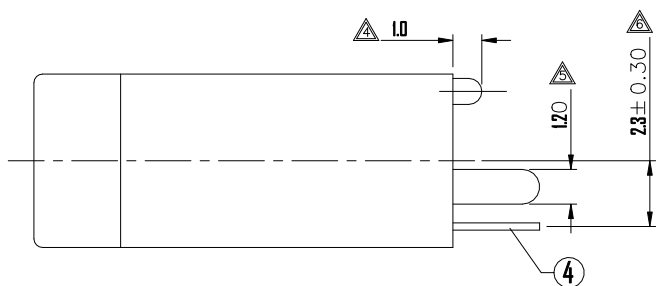
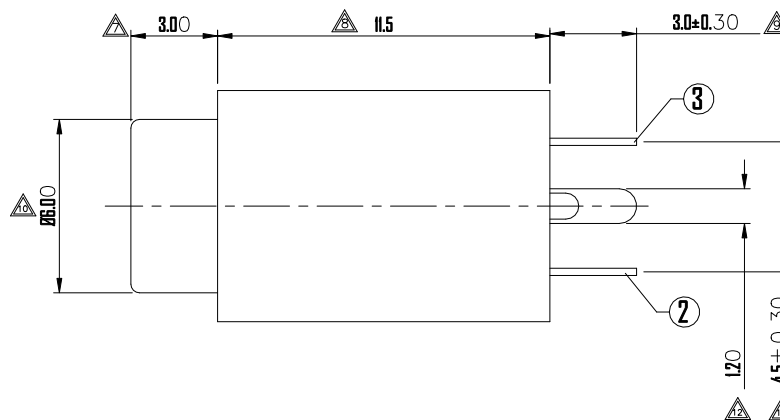
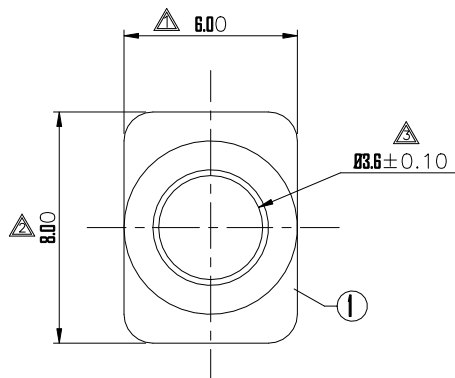


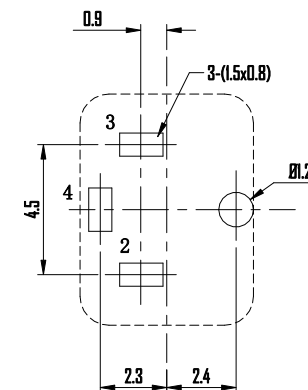


RoHS
Compliant

Level-I Controlled Substances are banned



P.C.B LAYOUT
TOP VIEW



SPECIFICATION

1. Rating : DC 30V 0.5A;
2. Contact resistance: $\leq 0.03\Omega$;
3. Insulation resistance: $\geq 100M\Omega$ (DC250V);
4. Withstand voltage: 500VAC ;
5. Insertion and extraction force: 3-30N;
6. life test: 5,000 cycles.
7. Marked \triangle are important dimensions.

SCHEMATIC



NO.	DESCRIPTION	QTY	MATERIAL	COLOR	REMARK
4	CONTACT FOOT	1	BRONZE	—	Ag-Plating
3	CONTACT FOOT	1	BRONZE	—	Ag-Plating
2	CONTACT FOOT	1	BRONZE	—	Ag-Plating
1	HOUSING	1	PBT	—	—

GENERAL TOLERANCE UNLESS OTHERWISE SPECIFIED		盛聰电子有限公司 SHENG CONG ELECTRONIC CO.,LTD	
General	Angle	CUSTOMER COPY	TITLE: PHONE JACK
X ± 0.50	X ° ± 3°	PART NO.	PJ-D3059
X.X ± 0.30	X.X ° ± 2°		
X.XX ± 0.20	X.XX ° ± 1°		
X.XXX ± 0.10			
PROJ:	SCALE: 4:1	UNIT:mm	SIZE: A4 SHEET: 1 OF 1

ECN(OCN) NO.	REV	DATE	DESCRIPTION	CHANGE	APPRO.	DESIGN	DATE
	0	12'/06/07	NEW		Steven	Max.hu	12'/06/07
					Jason	Max.hu	12'/06/07
					Max.hu	Max.hu	12'/06/07