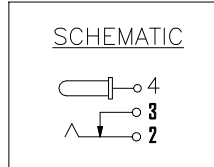
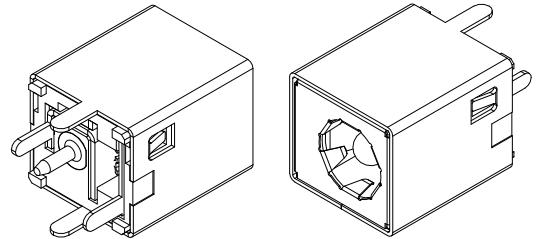
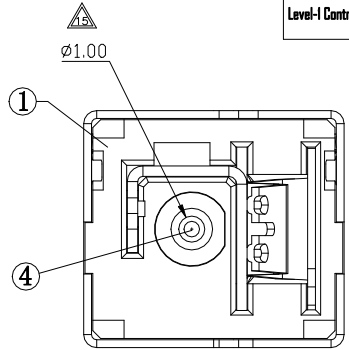
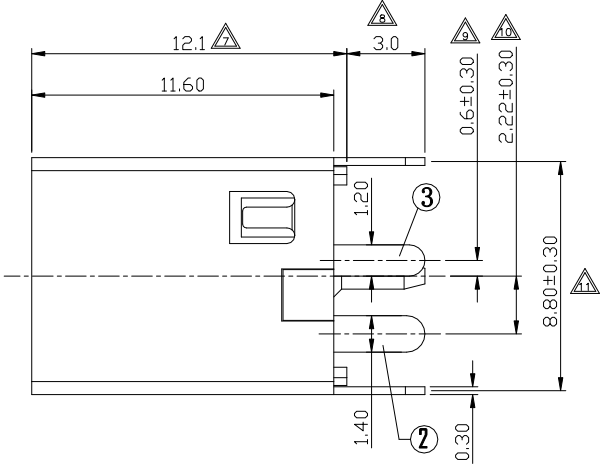
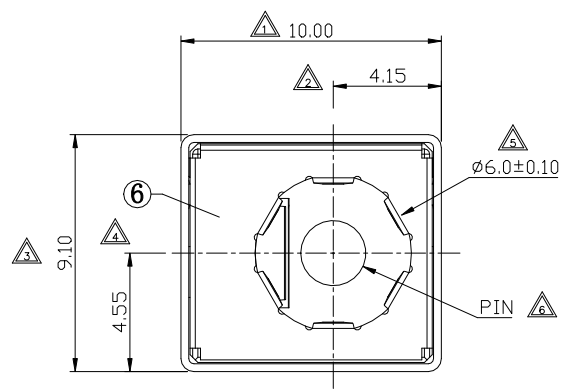




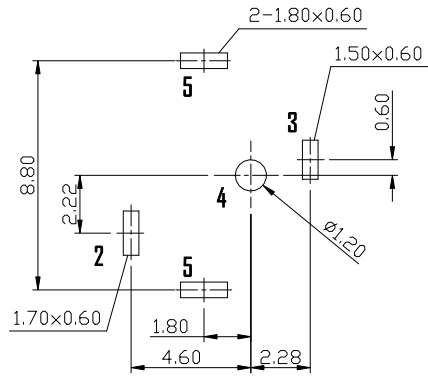
Level-I Controlled Substances are banned



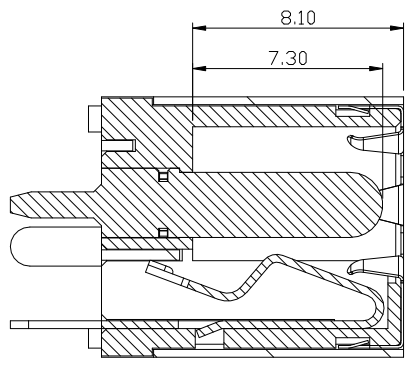
PIN	Ø2.00	Ø2.50	Ø3.00
APPD.		✓	



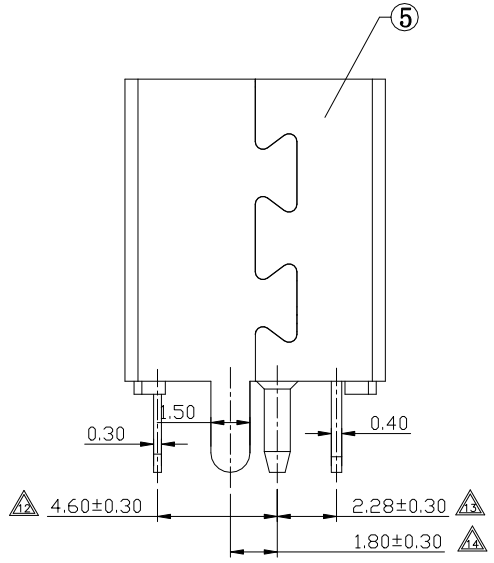
- SPECIFICATION**
1. Rating : DC 20V 5.5A;
 2. Contact resistance: ≤0.03Ω;
 3. Insulation resistance: ≥100MΩ (DC250V);
 4. Withstand voltage: 500VAC ;
 5. Insertion and extraction force: 3-30N;
 6. life test: 5,000 cycles.
 7. Marked Δ are important dimensions.



P.C.B LAYOUT TOP VIEW



SECTION



DC MATE PLUG

6	SPRING PIECE	1	SUS301	—	—
5	COAT	1	IRON T=0.3	—	Ni-Plating
4	PIN	1	ZINC ALLOY	—	Ni-Plating
3	CONTACT FOOT	1	BRASS T=0.4	—	Ag-Plating
2	SPRING PIECE	1	BRONZE T=0.3	—	Ag-Plating
1	HOUSING	1	PA9T	—	—
NO.	DESCRIPTION	QTY	MATERIAL	COLOR	REMARK

GENERAL TOLERANCE UNLESS OTHERWISE SPECIFIED

General	Angle
X ± 0.50	X °± 3°
X.X ± 0.30	X.X °± 2°
X.XX ± 0.20	X.XX °± 1°
X.XXX ± 0.10	



CUSTOMER COPY	TITLE: DC-JACK
PART NO.	DJ-D304

PROJ:	SCALE: 4:1	UNIT:mm	SIZE: A4	SHEET: 1 OF 1
-------	------------	---------	----------	---------------

					DESIGN	Jason	19'/04/09
					CHECK	Jason	19'/04/09
	0	19'/04/09	NEW	JASON	Max.hu		
ECN(OCN) NO.	REV	DATE	DESCRIPTION	CHANGE	APPRO.		
					APPRO.	Max.hu	19'/04/09