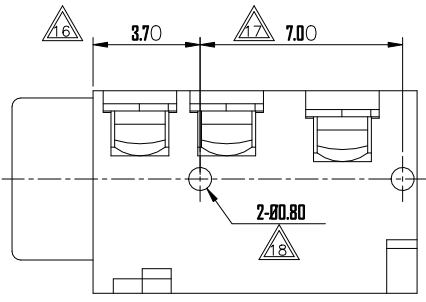
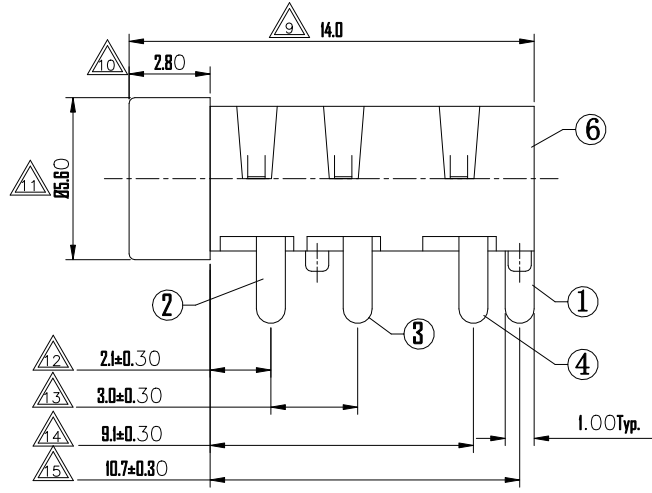
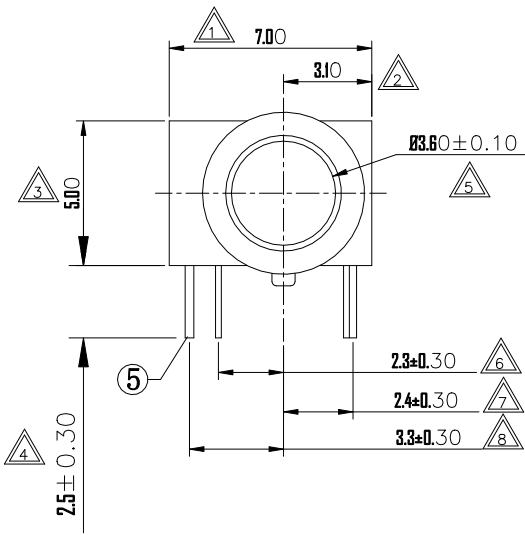
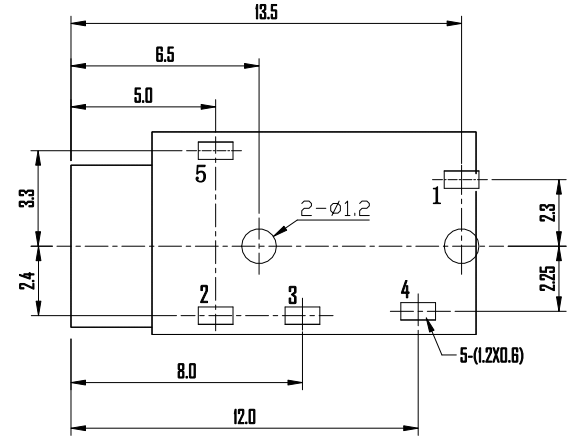




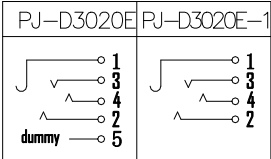
Level-I Controlled Substances are banned



P.C.B LAYOUT TOP VIEW



SCHEMATIC



SPECIFICATION

- 1.Rating : DC 30V 0.5A;
- 2.Contact resistance: $\leq 0.03\Omega$;
- 3.Insulation resistance: $\geq 100M\Omega$ (DC250V);
- 4.Withstand voltage: 500VAC ;
- 5.Insertion and extraction force: 3-30N;
- 6.life test: 5,000 cycles.
- 7.Marked \triangle are important dimensions.

6	HOUSING	1	PBT	—	—
5	DUMMY FOOT	1	BRASS	—	Sn-Plating
4	CONTACT FOOT	1	PHOSPHOR BRONZE	—	Sn-Plating
3	CONTACT FOOT	1	PHOSPHOR BRONZE	—	Sn-Plating
2	CONTACT FOOT	1	PHOSPHOR BRONZE	—	Sn-Plating
1	SPRING	1	PHOSPHOR BRONZE	—	Sn-Plating
NO.	DESCRIPTION	QTY	MATERIAL	COLOR	REMARK



GENERAL TOLERANCE UNLESS OTHERWISE SPECIFIED		CUSTOMER COPY	TITLE: PHONE JACK
General	Angle		
X ± 0.50	X ° ± 3°	PART NO.	PJ-D3020E
X.X ± 0.30	X.X ° ± 2°		
X.XX ± 0.20	X.XX ° ± 1°		
X.XXX ± 0.10		SIZE: A4 SHEET: 1 OF 1	
PROJ:	SCALE: 4:1	UNIT:mm	

						DESIGN	Steven	12'/06/07	
						CHECK	Jason	12'/06/07	
	0	12'/06/07	NEW	Steven	Max.hu	APPRO.	Max.hu	12'/06/07	
ECN(OCN) NO.	REV	DATE	DESCRIPTION	CHANGE	APPRO.				