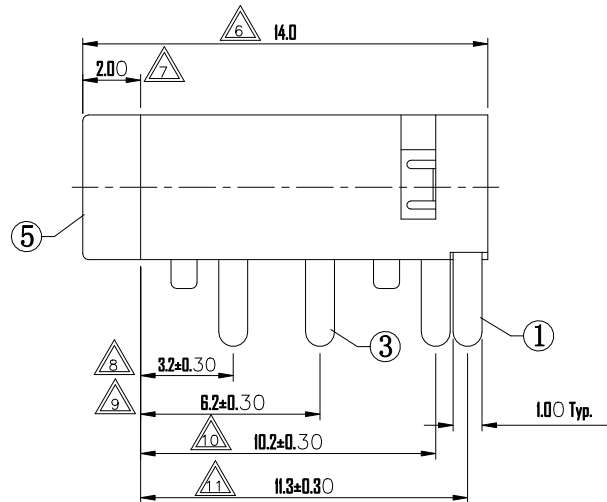
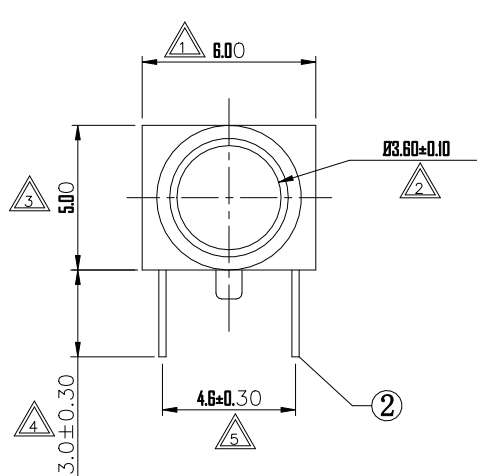
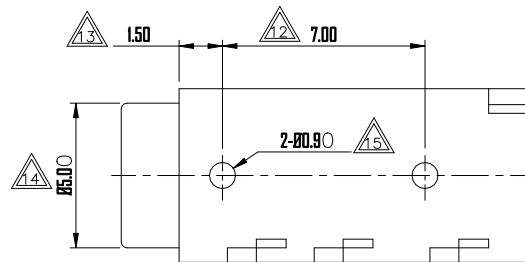
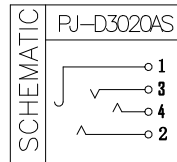
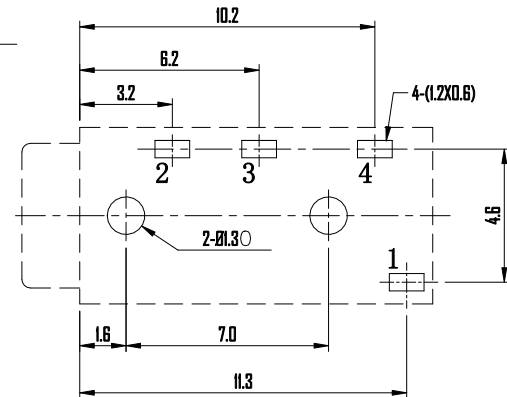




Level-I Controlled Substances are banned



P.C.B LAYOUT
TOP VIEW



SPECIFICATION

- 1.Rating : DC 30V 0.5A;
- 2.Contact resistance: ≤0.03Ω;
- 3.Insulation resistance: ≥100MΩ (DC250V);
- 4.Withstand voltage: 500VAC ;
- 5.Insertion and extraction force: 3-30N;
- 6.life test: 5,000 cycles.
- 7.Marked are important dimensions.

5	HOUSING	1	PBT	—	—
4	CONTACT FOOT	1	PHOSPHOR BRONZE	—	Sn-Plating
3	CONTACT FOOT	1	PHOSPHOR BRONZE	—	Sn-Plating
	CONTACT FOOT	1	PHOSPHOR BRONZE	—	Sn-Plating
1	SPRING	1	PHOSPHOR BRONZE	—	Sn-Plating
NO.	DESCRIPTION	QTY	MATERIAL	COLOR	REMARK



CUSTOMER COPY TITLE: PHONE JACK

PART NO. PJ-D3020AS

PROJ: SCALE: 4:1 UNIT:mm SIZE: A4 SHEET: 1 OF 1

						DESIGN	Steven	12'/06/07	
						CHECK	Jason	12'/06/07	
	0	12'/06/07	NEW	Steven	Max.hu	APPRO.	Max.hu	12'/06/07	
ECN(OCN) NO.	REV	DATE	DESCRIPTION	CHANGE	APPRO.				